



## **CITY OF HORSESHOE BAY**

### **REQUEST FOR PROPOSAL (RFP) INSTALLATION OF 900 FEET OF 20" EFFLUENT DISCHARGE LINE WITH CONCRETE SPLASH PAD**

**CITY OF HORSESHOE BAY  
#1 COMMUNITY DRIVE  
P.O. Box 7765  
HORSESHOE BAY, TX 78657**

**AUGUST 7, 2018**

**RFP 20EDL 2018**



**CITY OF HORSESHOE BAY**  
**REQUEST FOR PROPOSAL - RFP 20EDL 2018**

**RFP 20EDL 2018**

**RFP SUBMISSION DEADLINE: AT HSB CITY HALL – AUGUST 24, 2018, 3:00 PM CST**

**RFP QUESTION SUBMISSION DEADLINE: AUGUST 22, 2018, 4:00 PM CST**

**\*QUESTIONS MAY BE SUBMITTED BY EMAIL FORM TO:**

**RFP CONTACT NAME : JEFF KOSKA**

**TELEPHONE NUMBER : (830) 598-9981**

**EMAIL ADDRESS : JKOSKA@HORSESHOE-BAY-TX.GOV**

**TABLE OF CONTENTS**

2		
2.	PROPOSAL GUIDELINES.....	2
3.	PROJECT PURPOSE AND DESCRIPTION.....	3
4.	PROJECT SCOPE.....	3
5.	REQUEST FOR PROPOSAL AND PROJECT TIMELINE.....	3
6.	PROPOSAL EVALUATION CRITERIA.....	4



# CITY OF HORSESHOE BAY

## REQUEST FOR PROPOSAL - RFP 20EDL 2018

### 1. SUMMARY

The City of Horseshoe Bay is currently accepting proposals to install 900 Linear feet of 20" C900 PVC DR 25 to transport treated wastewater effluent to a holding pond. The project will also include penetration into the existing synthetic lined effluent pond and will require a concrete splash pad at the penetration through the pond embankment.

The purpose of this Request for Proposal (RFP) is to solicit proposals from various candidate organizations, conduct a fair and extensive evaluation based on criteria listed herein, and select the candidate who best represents the City of Horseshoe Bay's interests in meeting our goals for this enterprise.

### 2. PROPOSAL GUIDELINES

**A project pre-bid meeting will be held at the City of Horseshoe Bay's Wastewater Treatment Plant (address is 301 FM 2831, Horseshoe Bay Texas 78657) on Thursday, August 16, 2018 at 10AM. This meeting is not mandatory; however, the meeting will provide an opportunity to ask questions and review City's specifications/expectations.**

This Request for Proposal represents the requirements for an open and competitive process.

**Proposals will be accepted at City of Horseshoe Bay City Hall, #1 Community Drive, Horseshoe Bay, TX 78657 no later than 3pm CST Friday, August 24, 2018.**

Any proposals received after this date and time will be returned to the sender. All proposals must be signed by an official agent or representative of the company submitting the proposal.

**All proposals must be submitted in a sealed envelope with the RFP 20EDL 2018 on the front of the bid enclosure.**

If the organization submitting a proposal must outsource or contract any work to meet the requirements contained herein, this must be clearly stated in the proposal. Additionally, all costs included in proposals must be all-inclusive to include any outsourced or contracted work. Any proposals which call for outsourcing or contracting work must include a name, description, and related work experience of the organizations being contracted. An organization submitting a proposal for this project must include at least 5 references for which they have performed similar types of working duties.

All costs must be itemized to include an explanation of all fees and costs. See attached form for pricing breakdown.



# CITY OF HORSESHOE BAY

## REQUEST FOR PROPOSAL - RFP 20EDL 2018

Contract terms and conditions will be negotiated upon selection of the winning bidder for this RFP.

Contractor(s) will be required to provide a minimum commercial liability (2,000,000) with the City named as certificate holder and proof of workman's compensation insurance.

### 3. PROJECT PURPOSE AND DESCRIPTION

#### **Project Description:**

The City of Horseshoe Bay is seeking a contractor to install 900 Linear feet of 20" C900 PVC DR 25 to transport treated wastewater effluent to a holding pond. The project will also include penetration into the existing synthetic lined effluent pond and will require a concrete splash pad at the penetration through the pond embankment. Attached is the engineering design plan sheet of the line alignment and concrete effluent pond drain pad.

### 4. PROJECT SCOPE

The successful Contractor(s) will be responsible for supplying their own tools and equipment. All equipment, labor, pipe and required fittings needed to complete to install 900 Linear feet of 20" C900 PVC DR 25 to transport treated wastewater effluent to a holding pond. The project will also include penetration into the existing synthetic lined effluent pond and will require a concrete splash pad at the penetration through the pond embankment.

Successful Proposer will provide the following services to the City:

- Locate and protected existing utilities – City Staff will complete locate existing utilities.
- Carefully excavating around existing infrastructure.
- Trenching for the service line as needed.
- Perform installation 20" effluent mainline and fittings.
- Complete construction of effluent pond splash pad.
- Carefully cut existing synthetic liner and fold back for reinstallation and attachment to constructed splash pad.
- Properly bed the pipe with backfilling according to attached engineer design plan sheet.

### 5. REQUEST FOR PROPOSAL AND PROJECT TIMELINE

#### **Request for Proposal Timeline:**

All proposals in response to this RFP are due at City of Horseshoe Bay City Hall, #1 Community Drive, Horseshoe Bay, TX 78657 no later than 3pm CST Friday, August 24, 2018.



# CITY OF HORSESHOE BAY

## REQUEST FOR PROPOSAL - RFP 20EDL 2018

Evaluation of proposals will be conducted from August 23, 2018 until August 28, 2018. If additional information or discussions are needed with any bidders during this evaluation period, the bidder(s) will be notified.

**The selection decision for the winning bidder will be made no later than August 29, 2018.**

Notifications to bidders who were not selected will be completed by August 30, 2018.

### **Project Timeline:**

Project initiation shall begin by September 15, 2018. Completion shall no more than 45 days from start date.

## **6. PROPOSAL EVALUATION CRITERIA**

The City of Horseshoe Bay will evaluate all proposals based on the following criteria. To ensure consideration for this Request for Proposal, your proposal should be complete and include all of the following criteria:

- Overall proposal suitability: proposed solution(s) must meet the scope and needs included herein and be presented in a clear and organized manner
- Organizational Experience: Bidders will be evaluated on their experience as it pertains to the scope of this project
- Previous work: Bidders will be evaluated on examples of their work pertaining to installations of similar pipe installation projects, and provided references
- Value and cost: Bidders will be evaluated on the cost of their solution(s) based on the work to be performed in accordance with the scope of this project
- Technical expertise and experience: Bidders must provide descriptions and documentation of staff technical expertise and experience

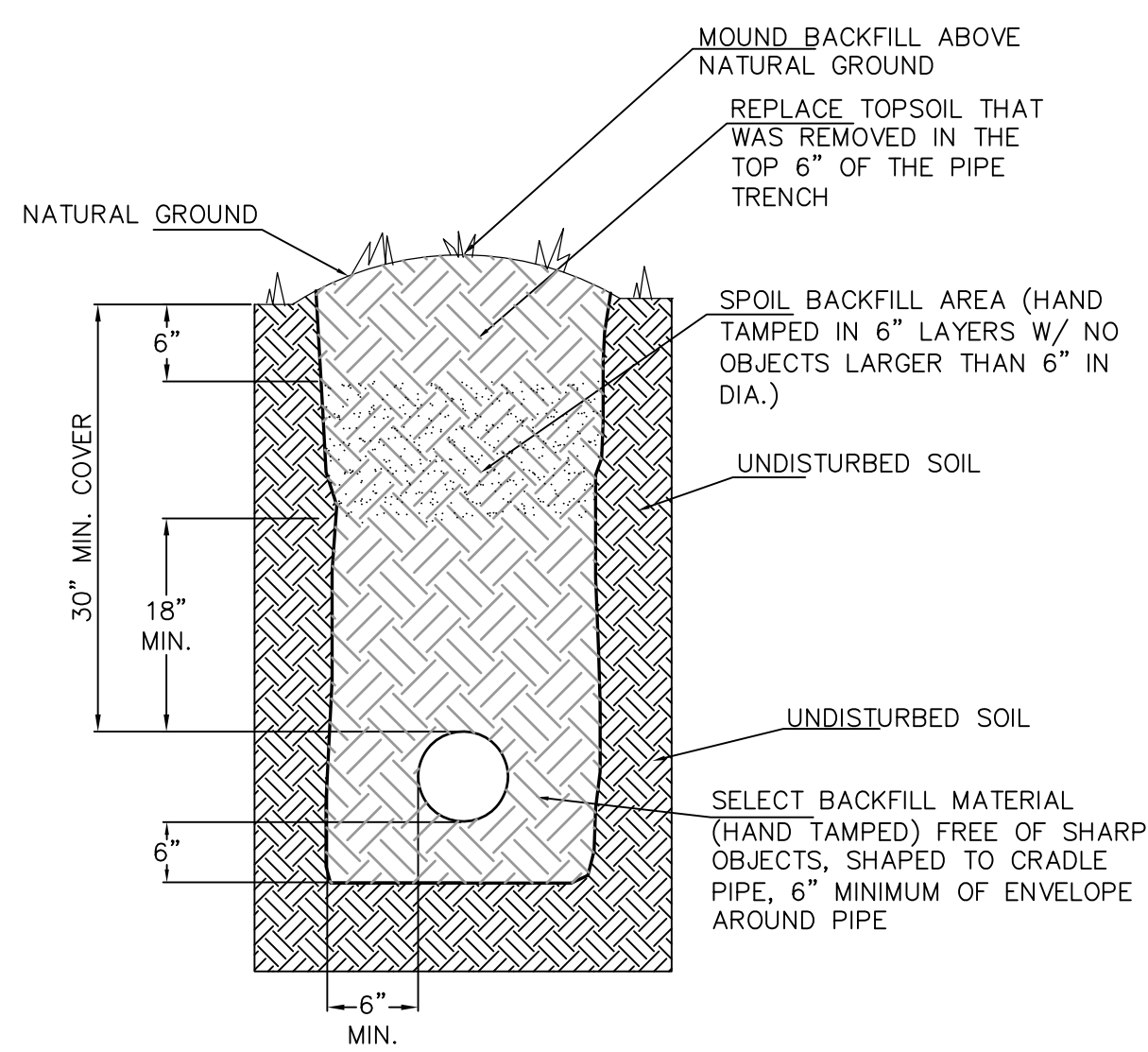
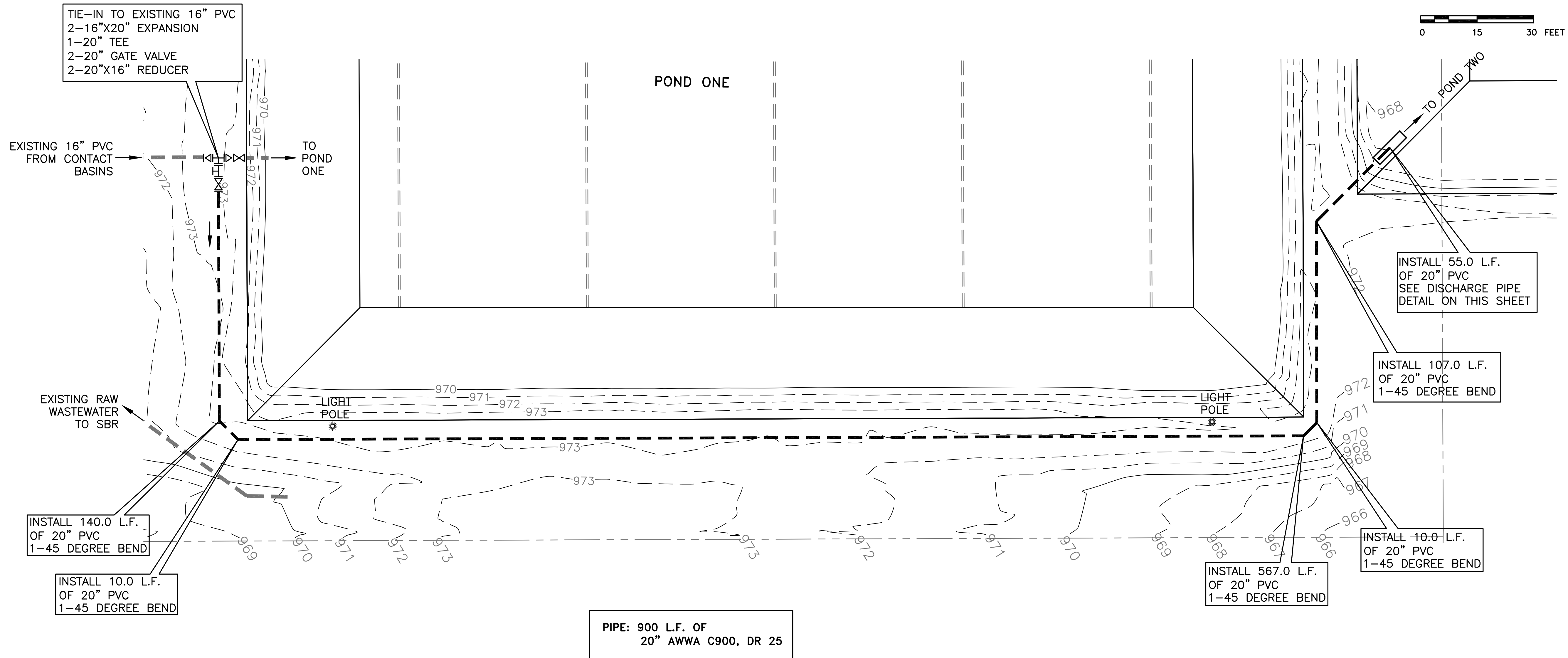
Each bidder must submit **2** copies of their proposal, in a sealed envelope, to the address below by no later than 3pm CST Friday, August 24, 2018.

City of Horseshoe Bay City Hall  
RFP WT2018  
#1 Community Drive  
Horseshoe Bay, TX 78657

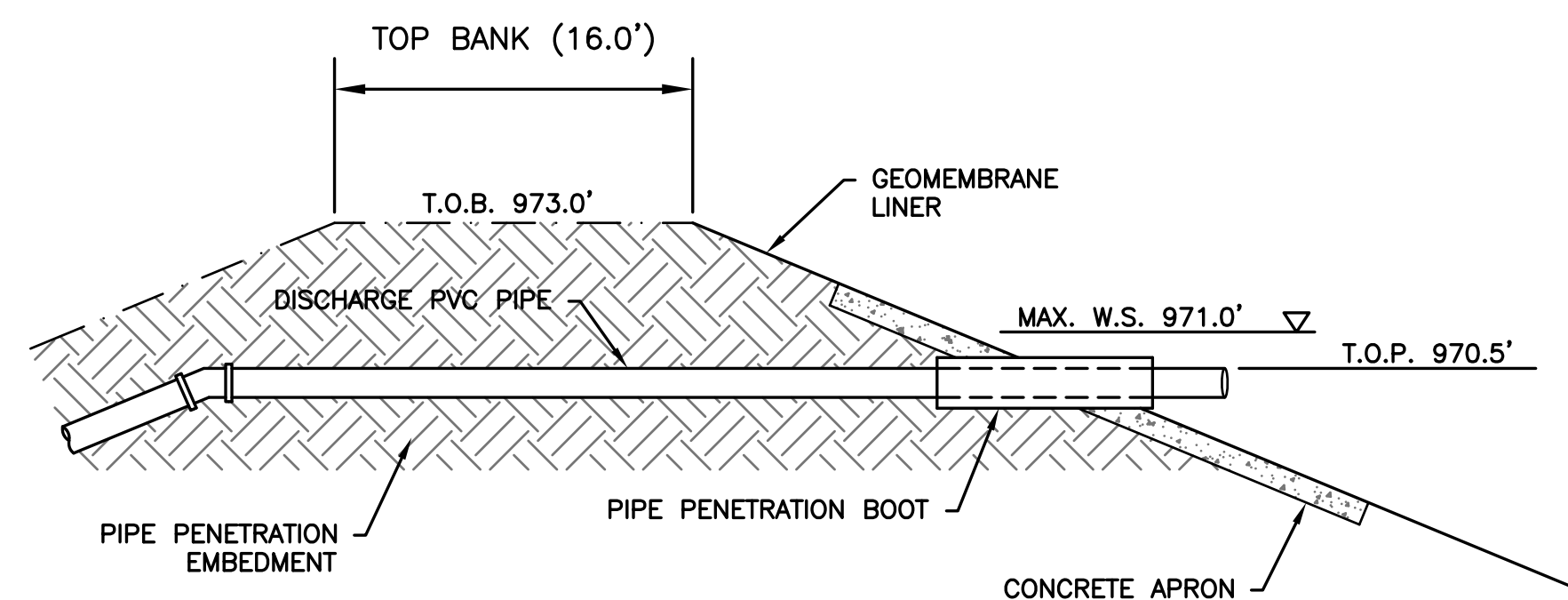


**CITY OF HORSESHOE BAY**  
**REQUEST FOR PROPOSAL - RFP 20EDL 2018**

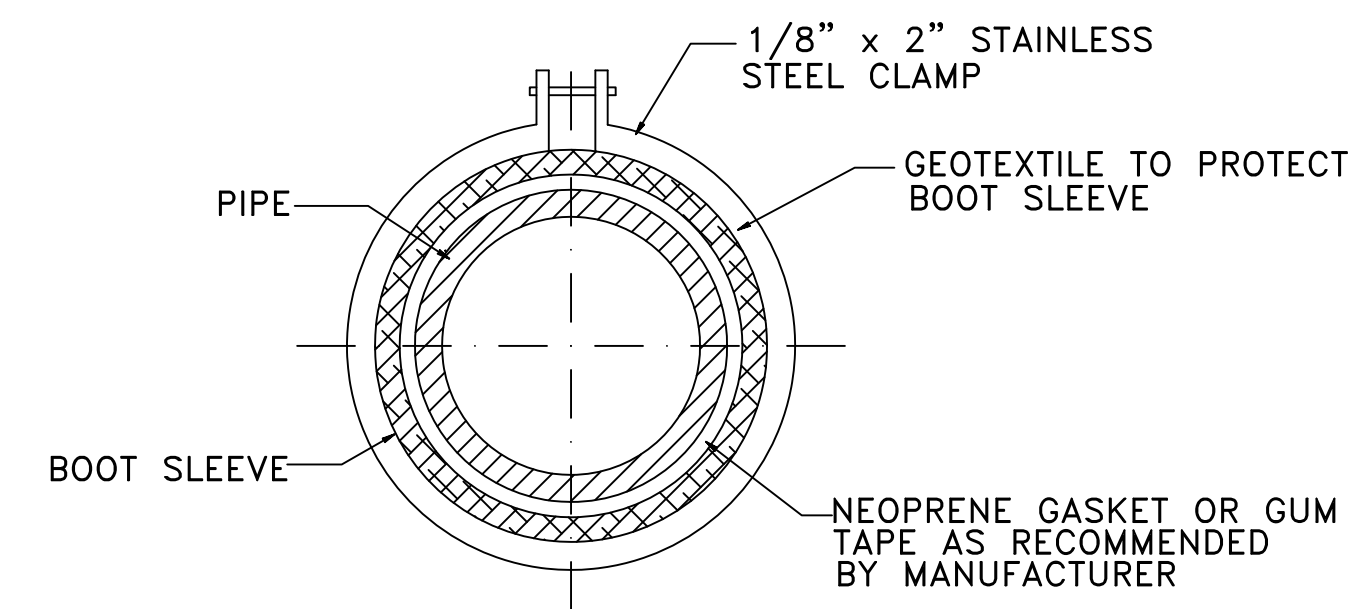
<b>Proposed Installation of 20" C900 PVC Effluent Mainline Project Official Bid Form</b>				
<u>Item</u>	<u>Description</u>	<u>Unit</u>	<u>\$ Per unit</u>	<u>Total Line Item</u>
1	Full installing cost for 900 linear feet of 20" C900 PVC Effluent Mainline	Lump Sum	NA	
2	For installing a complete concrete splash pad in Effluent holding Pond, including liner attachment to pad. Pad dimensions 5 ft x 14 ft x 0.33 ft thickness.	Lump Sum	NA	
3	Additional installation of 20" C900, if required for minor line adjustments.	Per Linear Foot		
4	Mobilization and demobilization costs.	Lump Sum	NA	



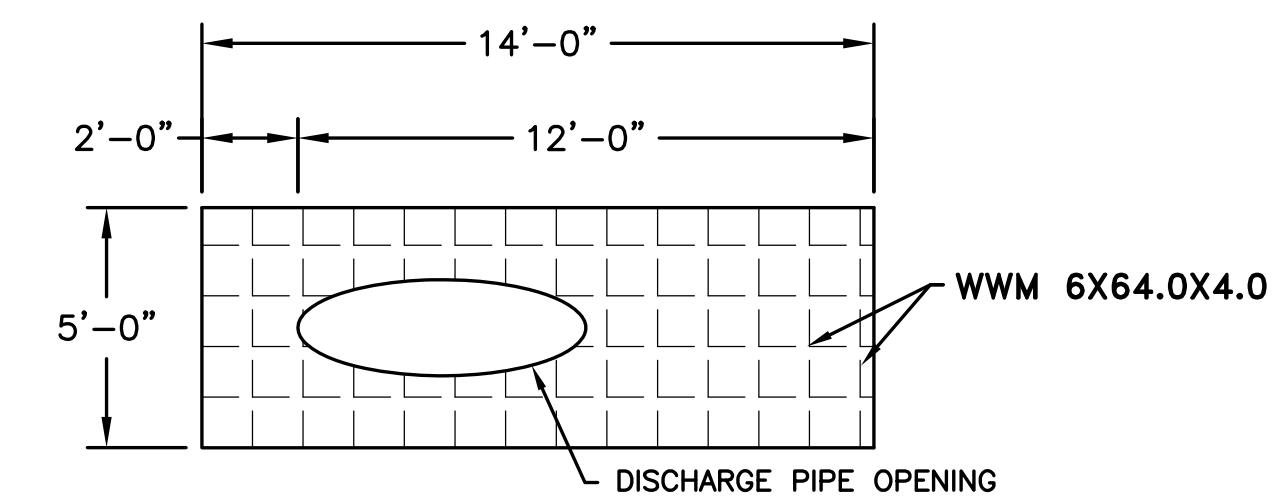
**TYPICAL PIPE EMBEDMENT**  
N.T.S.



**DISCHARGE PIPE DETAIL**  
N.T.S.



**PIPE PENETRATION BOOT**  
N.T.S.



**CONCRETE APRON DETAIL**  
N.T.S.

DESIGNED BY: JAMES MIERTSCHIN	PROJECT NO. HSB WTP EXPANSION
DRAWN BY: ADRIAN BENITEZ	FILE NO: 08-EFFLENT-LN
CHECKED BY: JAMES MIERTSCHIN	DATE: JUNE, 2018
SCALE: AS NOTED	

**JAMES MIERTSCHIN & ASSOCIATES, INC**  
 ENVIRONMENTAL ENGINEERING  
 P.O. Box 162305 Austin, Texas 78716-2305  
 Phone (512) 327-2708

**EFFLUENT LINE EXTENSION**

**CITY OF HORSESHOE BAY  
 WASTEWATER TREATMENT  
 PLANT EXPANSION**



JUNE 11, 2018