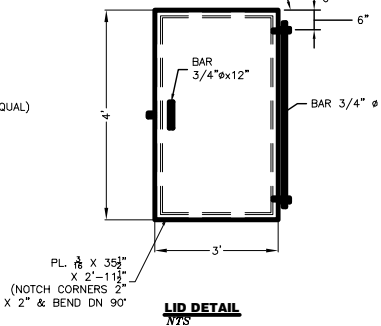


LIFT STATION
PLAN 1/2\"/>

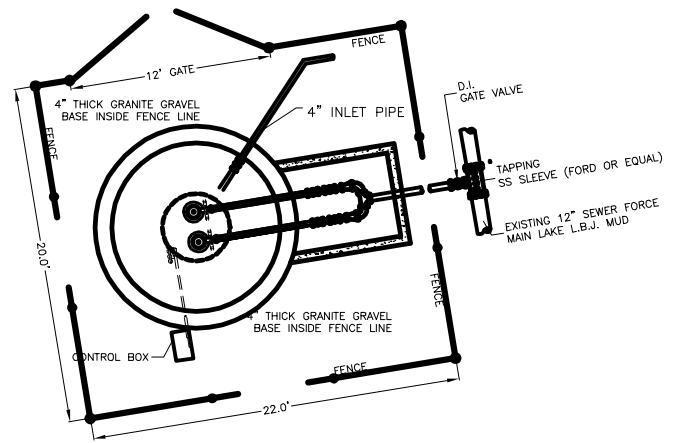
D.I. = DUCTILE IRON
SS = STAINLESS STEEL

NOTE
ALL ALUMINUM CONSTRUCTION

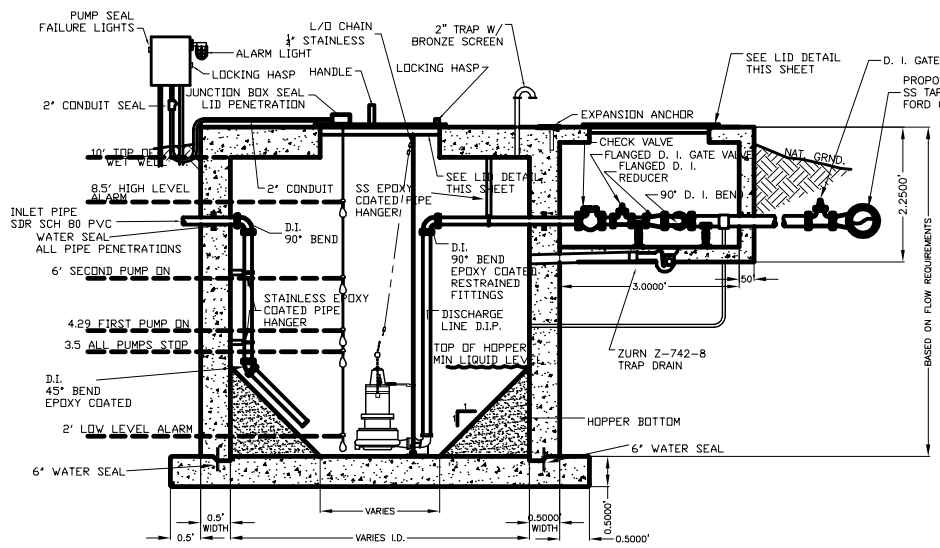


LID DETAIL
1/2\"/>

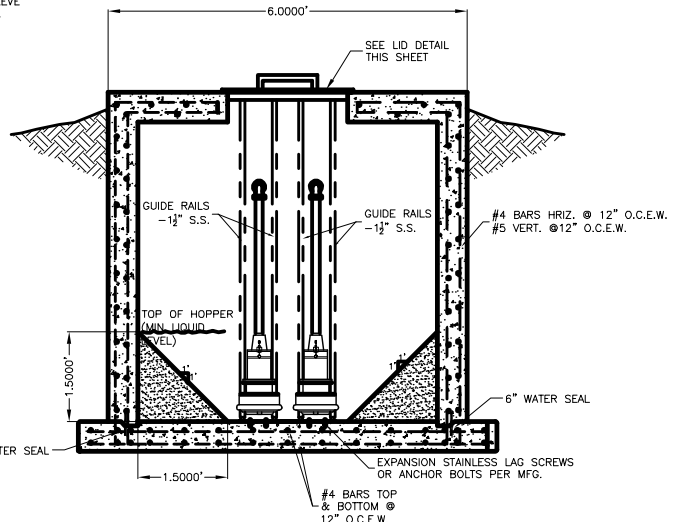
SCALE:
NTS



LIFT STATION
SITE DETAIL---NTS



LIFT STATION
SECTION A---NTS



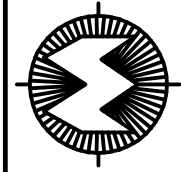
LIFT STATION
SECTION B---NTS

- NOTES:
1. ALL LIFT STATION SHALL BE UNDERGROUND.
 2. ALL CONCRETE LIFTSTATION SHALL BE EPOXY LINED.
 3. TELEPHONE WITH AUTODIVIDER.
 4. ALL CONTROLLED SHALL BE MILDTRONIX.
 5. ALL LIFTSTATIONS SHALL HAVE A ONE INCH WATER SERVICE.
 6. ALL RESTRAINED FITTINGS.



City of
Horseshoe Bay

LIFT STATION DETAIL



Willis Environmental
Engineering, Inc.

CONSULTING ENGINEERS

310 MAIN STREET, MARBLE FALLS, TEXAS 78654

• (830) 693-3566 • FAX (830) 693-5362 • e-mail: tplumlee@willis-engineering.com